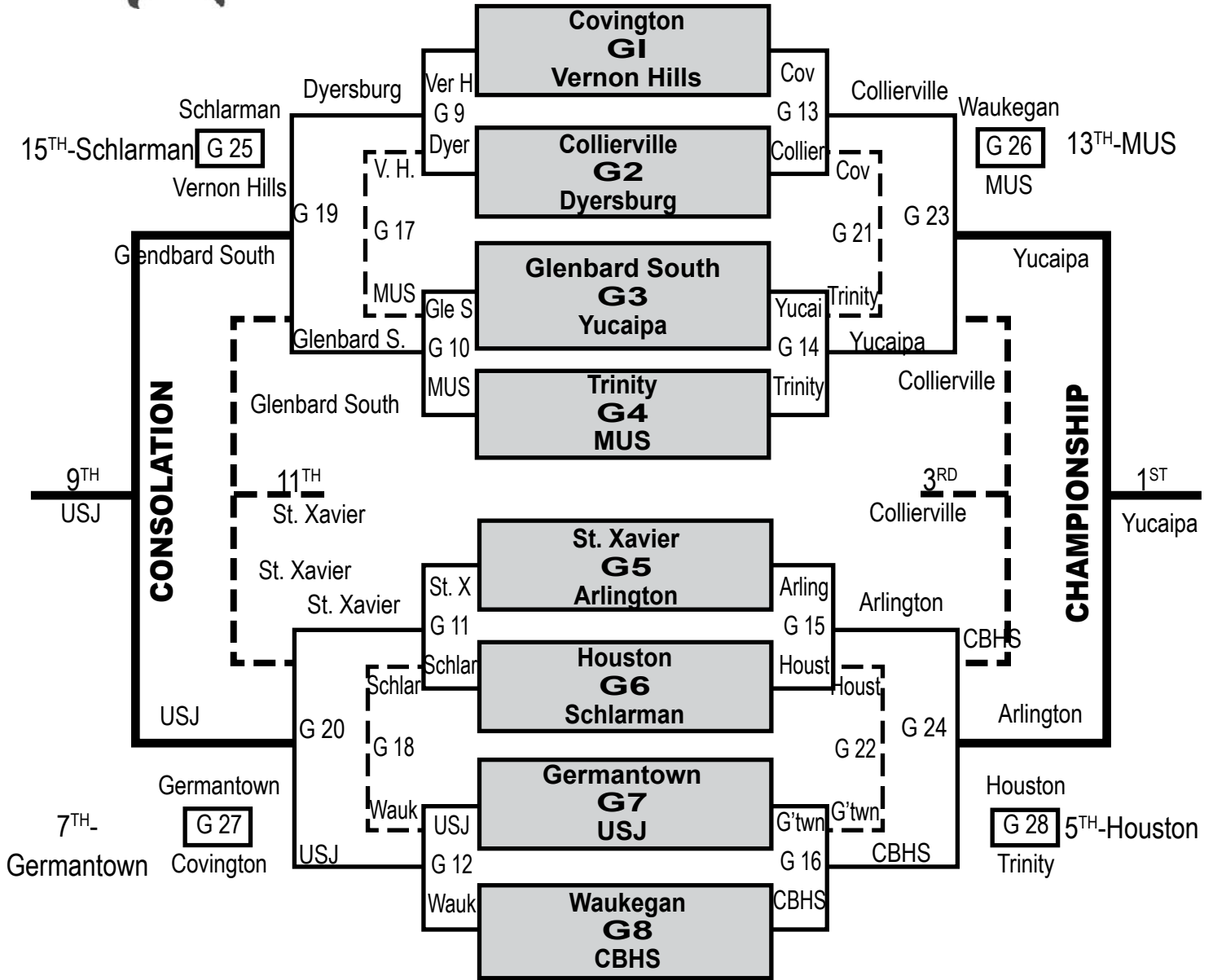


17th Annual USA CLASSIC USA STADIUM • MILLINGTON GIACOSA FIELD - CBHS • MEMPHIS



FRIDAY APRIL 3

- 9 • 4:00 PM Collierville
- 10 • 6:30 PM Collierville
- 11 • 3:00 PM CBHS
- 12 • 5:15 PM CBHS
- 13 • 7:30 PM USA 1
- 14 • 3:00 PM USA 1
- 15 • 5:15 PM USA 1
- 16 • 7:30 PM USA 1

- 17 • 9:00 AM USA 2
- 18* • 9:00 AM CBHS
- 19 • 2:00 PM USA 2
- 20* • 11:30 AM CBHS
- 21 • 11:30 AM Collierville
- 22 • 11:30 AM USA 2
- 23 • 9:00 AM USA 1
- 24 • 11:30 AM USA 1

SATURDAY APRIL 4

- 25 • 4:30 PM USA 2 15th
- 26 • 7:00 PM CBHS 13th
- 27 • 4:30 PM Collierville 7th
- 28 • 4:30 PM CBHS 5th
- 29 • 7:00 PM Collierville 11th
- 30 • 2:00 PM USA 1 3rd
- CONSOLATION**
- 31 • 4:30 PM USA 1
- CHAMPIONSHIP**
- 32 • 7:00 PM USA 1

* - Games 18 & 20 Note: Will need to park behind the baseball field at CBHS and use the back entrance. ACT testing will fill main parking lot